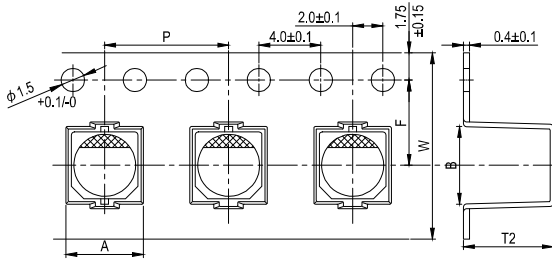


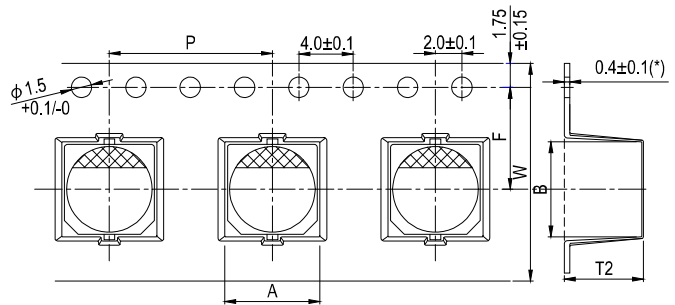
## Taping Specifications for SMD Type (Applicable Standard JIS C 0806-3)

### 1. Carrier Tape

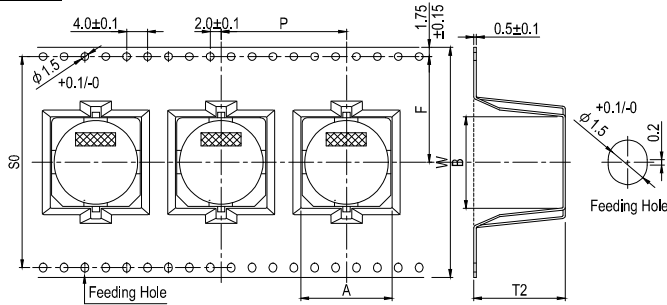
**Fig. 1-1**



**Fig. 1-2**



**Fig. 1-3**



Note: <sup>1</sup>: The case size in the below table is marked with " \* ", which means the marked with " \* " in Fig. 1-2 is 0.5 mm.

<sup>2</sup>: The carrier tape dimensions for 16 ~ 18 φ of the anti-vibration structure are the same as general structure.

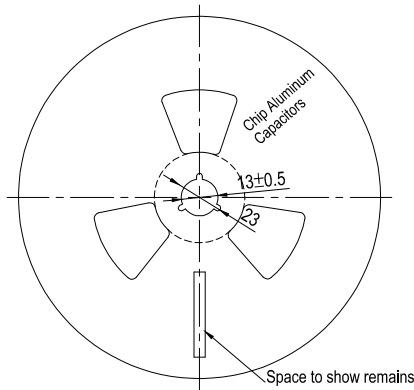
Unit: mm

Type	φ D × L	A	B	F	P	T2	W	S0	Fig. No.	Anti-vibration			
OP-CAP / Hybrid	5 × 4.4	5.7	5.7	5.5	12	4.8	12.0	---	1-2	---			
	5 × 5.7 / 5.8					6.2							
	6.3 × 4.4					4.8							
	6.3 × 5.8 / 5.9	6.2											
	6.3 × 6.4 / 7.0	7.2 / 7.6											
	6.3 × 7.7	8.3											
	6.3 × 9.5 <sup>1</sup>	11.5	16	9.8	24.0								
	8 × 6.7	8.7	8.7	7.5	12	7.4	16.0						
	8 × 7.7			12	8.4								
	8 × 10			16	11.0								
	8 × 12 <sup>1</sup>			12.5									
	10 × 7.7	10.7	10.7	11.5	16	8.7	24.0						
	10 × 9.9 / 10					11.0							
10 × 12.6 <sup>1</sup>	13.0												
10 × 16.5 <sup>1</sup>	17.5												
SMD	3 × 5.3	3.5	3.5	5.5	8	5.8	12.0	---	1-1	---			
	4 × 4.5 / 5.3	4.7	4.7			4.8 / 5.8							
	4 × 5.7 / 5.8	5.7	5.7			6.2							
	5 × 4.5 / 5.3				4.8 / 5.8								
	5 × 5.7 / 5.8				6.2								
	5 × 7.0	7.0	7.0		7.5	12	7.6				16.0		
	6.3 × 4.5 / 5.3			4.8 / 5.8									
	6.3 × 5.7 / 5.8			6.2									
	6.3 × 7.0 / 7.7			7.6 / 8.3									
	6.3 × 8.7			9.3									
	8 × 6.5			7.4									
	8 × 6.5	8.7	8.7	11.5	16	11.0	24.0						
	8 × 10					11.4							
	8 × 10.5					8.7							
	10 × 7.7	10.7	10.7	11.5	16	11.0	24.0						
	10 × 10					11.0							
	10 × 12.5 <sup>1</sup>					13.0							
	10 × 10.5					11.4							
	12.5 × 13.5	13.4	13.4	14.2	24	14.5	32.0				28.4	1-2	---
	12.5 × 16	13.7	13.7			17.0							
	12.5 × 13.5					15.0							
	12.5 × 16					17.5							
	16 × 16.5	17.5	17.5	20.2	28	17.0 (17.5)	44.0				40.4	1-3	V <sup>2</sup>
	16 × 21.5					22.2							
18 × 16.5	17.5												
18 × 21.5	23.0												
Tolerance		± 0.2	± 0.2	± 0.1	± 0.1	± 0.2	± 0.3	± 0.1					

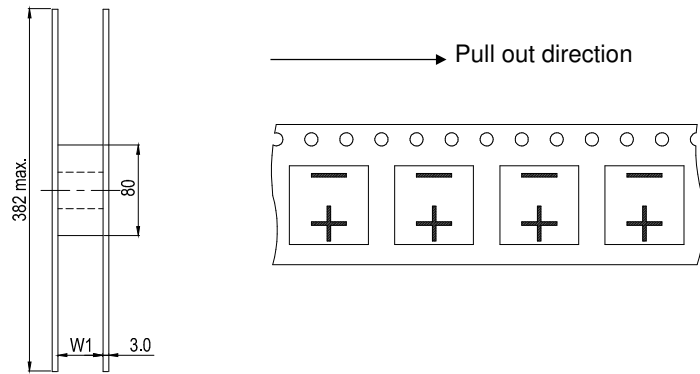
## Taping Specifications for SMD Type

### 2. Reel Package

**Fig. 2-1**



**Fig. 2-2**

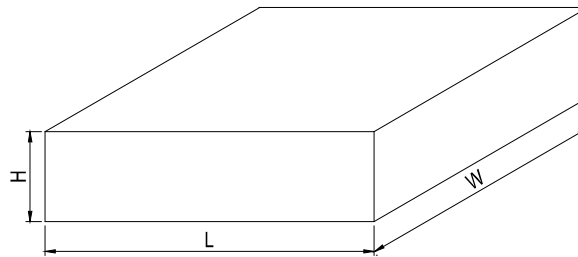


Unit: mm

Case size	3 ~ 5 φ	5 φ × 7L, 6.3 φ, 8 φ × 6.5 / 6.7L	6.3 φ × 9.5L, 8 φ × 7.7 ~ 12L, 10 φ	12.5 φ	16 ~ 18 φ
W1	14	18	26	34	46

### 3. Packing Specifications

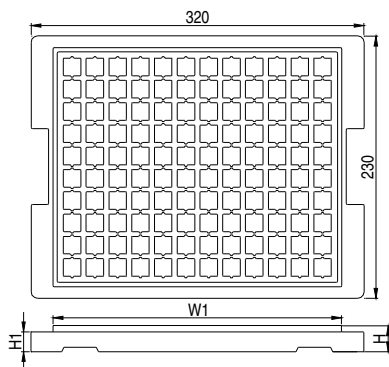
**Fig. 3-1** Outer carton box of carrier tape



Unit: mm

Case size	3 ~ 5 φ	5 φ × 7L, 6.3 φ, 8 φ × 6.5 / 6.7L	6.3 φ × 9.5L, 8 φ × 7.7 ~ 12L	10 ~ 12.5 φ	16 ~ 18 φ
H	210	250	330	330	425
W, L	395				

**Fig. 3-2** Chip tray



Dimensions and package quantity

Unit: mm

Case size	W1	H	H1	Q'ty / Tray	Q'ty / Box
12.5 φ × 13.5L	284	21	18.5	120	600
12.5 φ × 16L		21	18.5	120	600
16 φ × 16.5L	28	24.0	24.0	80	400
16 φ × 21.5L				80	400
18 φ × 16.5L				60	300
18 φ × 21.5L				60	300