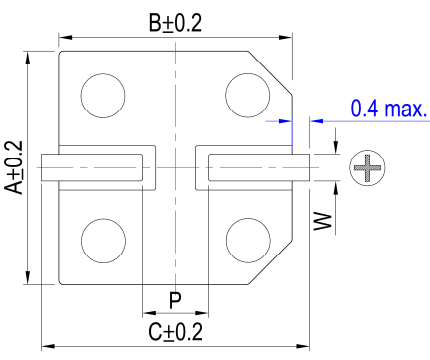
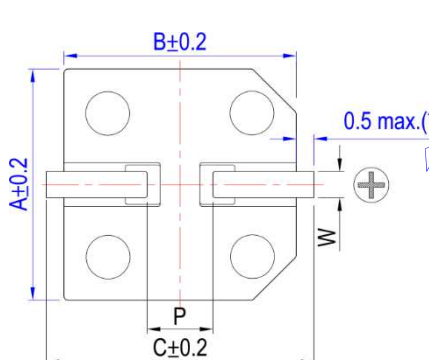


SMD Capacitor Base Dimension Modification Notice

Doc. No: TR-PCN1702
Date: 2017/10/13
Revision: 1.0 Page: 1
Grade: General

Dear Valued Customers,

Please be advised that base dimensions A and B of 8 ~ 10φ sized SMD capacitors will be modified in order to comply IEC 61188-5-2, JEITA RC-2371A and ET 7501/101 from Jan. 1st, 2018. The detailed modifications are shown as follows:

Case dia.	Old	New
8φ	8.4 mm	8.3 mm
10φ	10.4 mm	10.3 mm
Drawing		

Remark: "0.5 max." (blue arrow) is only suitable for 8 ~ 10φ, diameter ≤ 6.3 mm is still "0.4 max."

It should be noted that these modifications do not affect existing part numbers.

Please contact with Lelon's sales representatives if you have any questions.

Thank you for continuous support and confidence that you have placed in Lelon.

Yours Sincerely,


 Tyrone Huang
 Vice G. M.
 Lelon Electronics Corp.